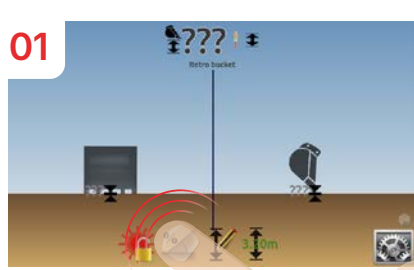
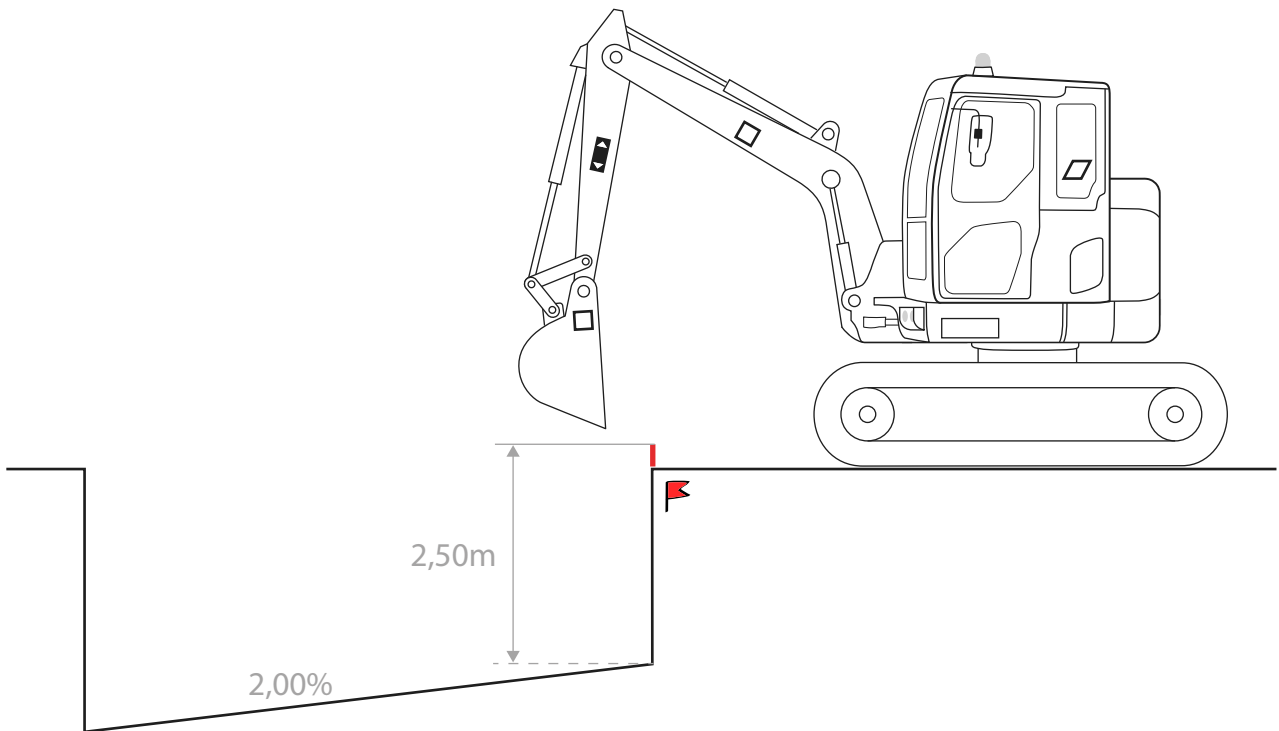
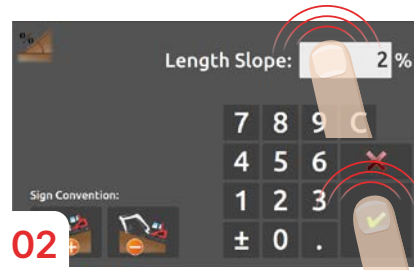


DIGGING A TRENCH WITH A 2% SLOPE

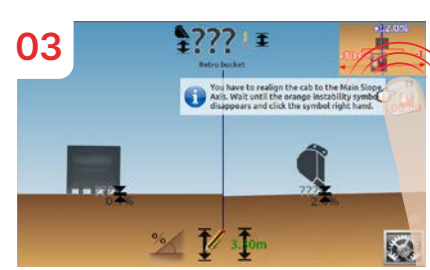
Method 1: Using a benchmark.



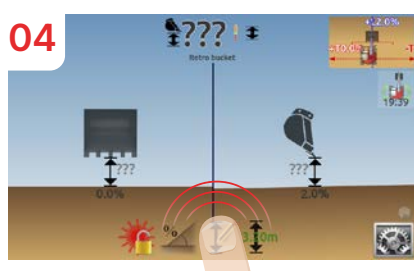
01 Activate Slope mode.



02 Enter 2%, then confirm.



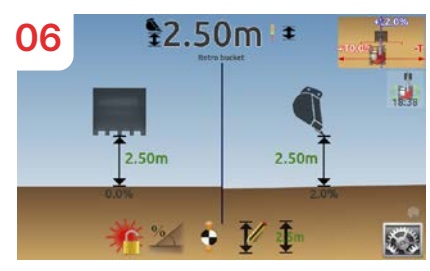
03 Align your boom with the trench.



04 Place the tip of the bucket on the surveyor's stake or benchmark, then click on "depth."



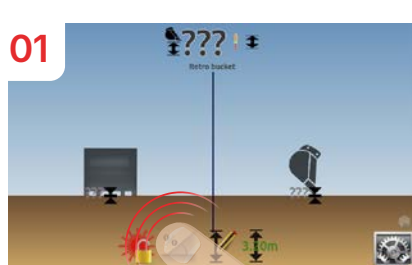
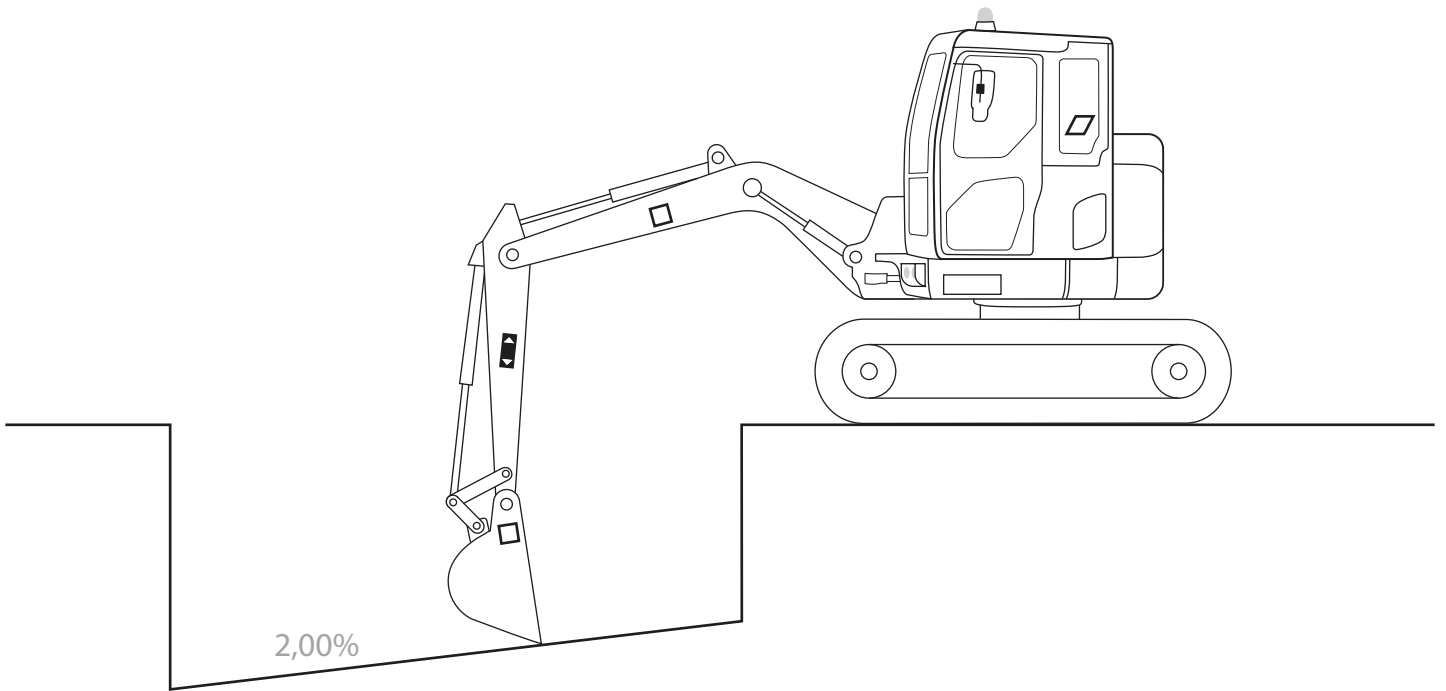
05 Enter "2.5m" as the height (the height between your bucket and the bottom of the trench) then confirm.



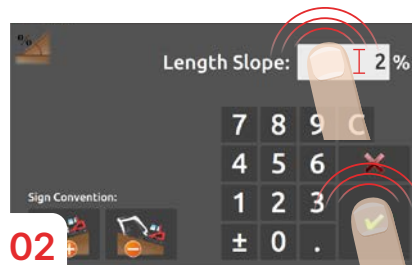
06 Follow the instructions on the screen to achieve the desired slope.

DIGGING A TRENCH WITH A 2% SLOPE

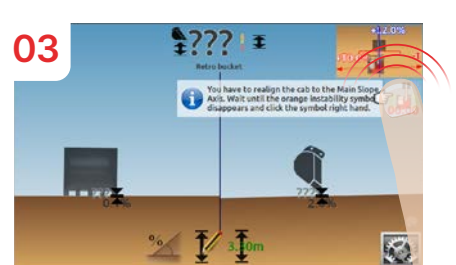
Method 2: without using a surveyors stake or benchmark.



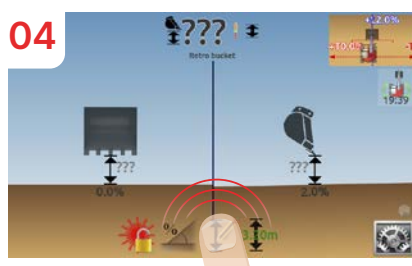
Activate Slope mode.



Enter 2%, then confirm.



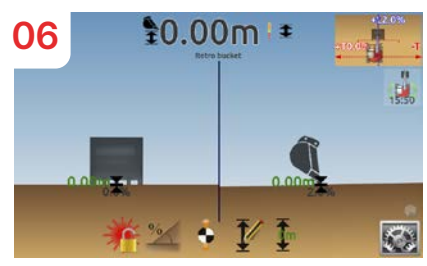
Align your boom with the trench.



Place the tip of the bucket on the surveyor's stake or benchmark, then click on "depth."



Enter "0m" as the height (the height between your bucket and the bottom of the trench) then confirm.



Follow the instructions on the screen to achieve the desired slope.